

. . . *Low Energy* . . .

. . . *Hinged Door Operator* . . .

The connect a.d. **Low Energy Hinged Door Operator** is ideal for low to medium volume traffic areas and disabled access in residential and commercial environments.

This is a cost-effective solution for automating existing hinging timber, steel or aluminium doors, and comprises a motor and closure mechanism with microprocessor controller, all contained in a header unit surface mounted to the door frame.



Retrofit installation by connect a.d. at a medical centre

Rev 10 : 12/08

For disabled access, stainless steel push plates are the most common means to activate the operator to open.

The push plates are either hard wired or battery operated and can be wall or post mounted. Covers include:



The operator self closes after an adjustable time delay and incorporates an anti-crush facility. As a result of controlled opening and closing speeds (typically 4.5-6.5 seconds) and limited operating forces, no additional safety equipment is required to meet British Standard BS 7036.

The **Residential** operator is suitable for doors to a maximum weight of 100kg that are not subject to frequent use. It incorporates power closing and battery backup in the event of mains power failure, as standard. A black cover comes as standard.

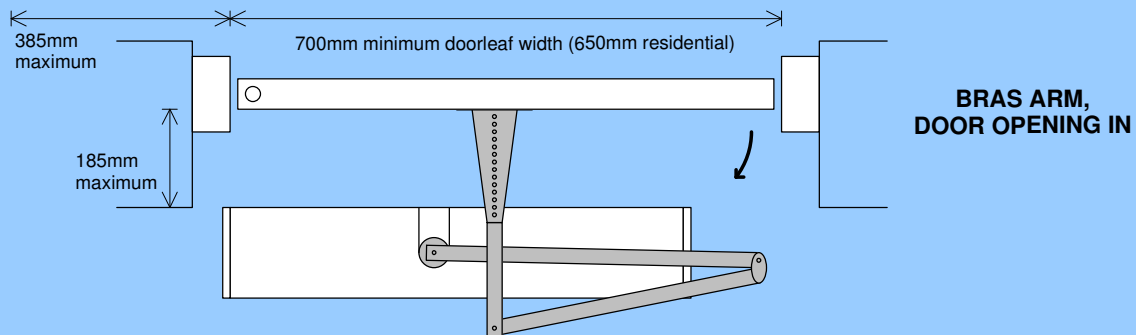
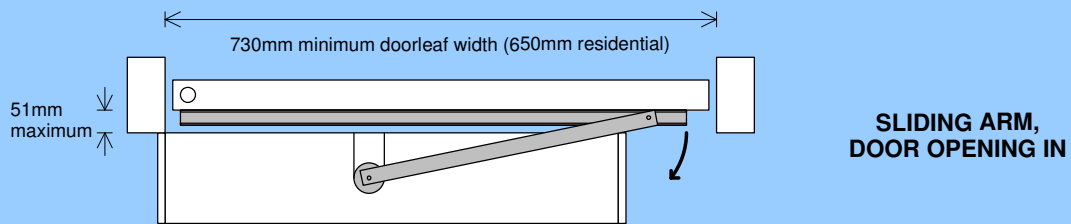
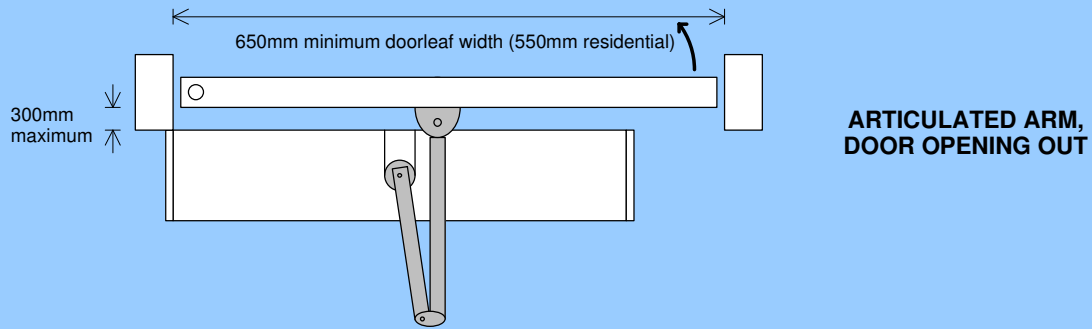
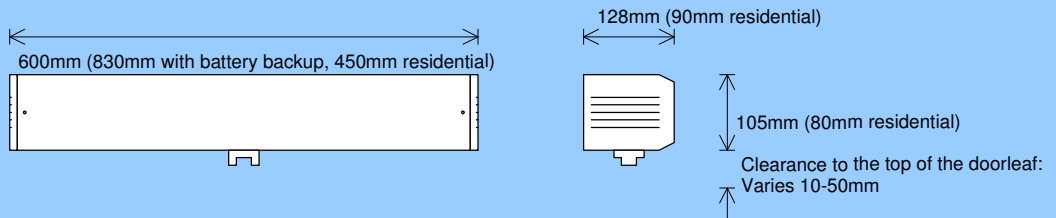
The **Commercial 'push & go'** operator is suitable for doors to a maximum weight of 120kg. The 'push & go' powers the operator open when the door is physically pushed or pulled, with the effect of making the door light to operate. This is most suitable for trained traffic areas, e.g. offices, and comes with a satin anodised aluminium cover as standard.

The **Commercial 'manual movement'** operator is suitable for doors to a maximum weight of 250kg. This operator can be used as a conventional door closer and is ideal for general public access. A satin anodised aluminium cover comes as standard.

**Optional activation and features include:**

- Overhead sensor or remote control activation
- Integration to an electric strike or magnetic lock with a controlled entry system
- Activation signal from a remote fire alarm
- Multi-position control switches
- Finger trap protection
- Safety upgrades incl. barriers, presence sensors and breakout arm
- Battery backup for the 'push & go' operator
- Colour coated covers to match door colours





Standard clearances are shown for each operator.  
Clearance can vary depending on site conditions.  
Depth clearances are not shown for the Residential operator

... Low Energy Hinged Door Operator ...

[www.connectad.co.uk](http://www.connectad.co.uk)

All Low Energy Hinged Door Operators are specified to suit customer requirements and meet the Disability Discrimination Act (DDA) regulations.

All site work is carried out by our trained engineers and electricians to ensure a quality installation to BS 7036.

Customers are responsible for obtaining any required Planning Permission and approval from Building Control and the Fire Department.

We provide an efficient advice and after sales service to all customers.

**Remember:** Our reliable Maintenance and 24 hour Repair service is for all types of Door Entrance Systems, and not just our own

**connect** a.d.

...make an entrance...

Automatic Entrance Doors

Manual Entrance Doors

Disabled Access

**connect a.d.**  
Block 59, Unit 4,  
Hillington Park,  
Glasgow G52 4LT

connect a.d. has a policy of continuous improvement. We therefore reserve the right to alter details without prior notice.

T: 0141 880 9797  
F: 0141 880 2818

W: [www.connectad.co.uk](http://www.connectad.co.uk)  
E: [info@connectad.co.uk](mailto:info@connectad.co.uk)



INVESTORS IN PEOPLE



Glass and Glazing Federation



connect a.d. is a division of tri group ltd.